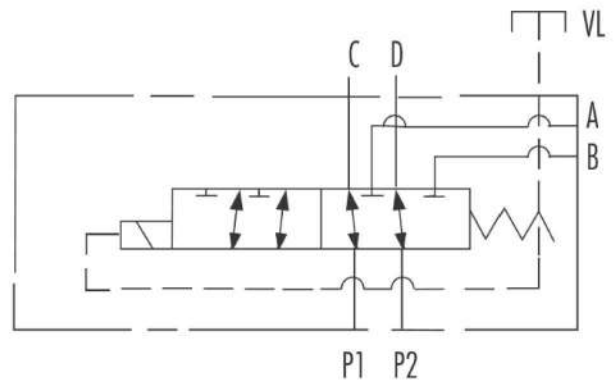


SFD SERIES

SOLENOID FLOW DIVERTERS

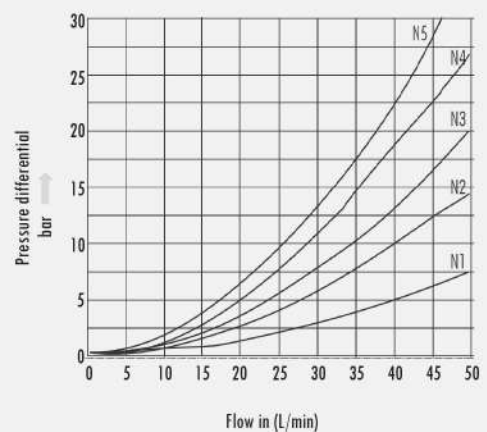
SFD6

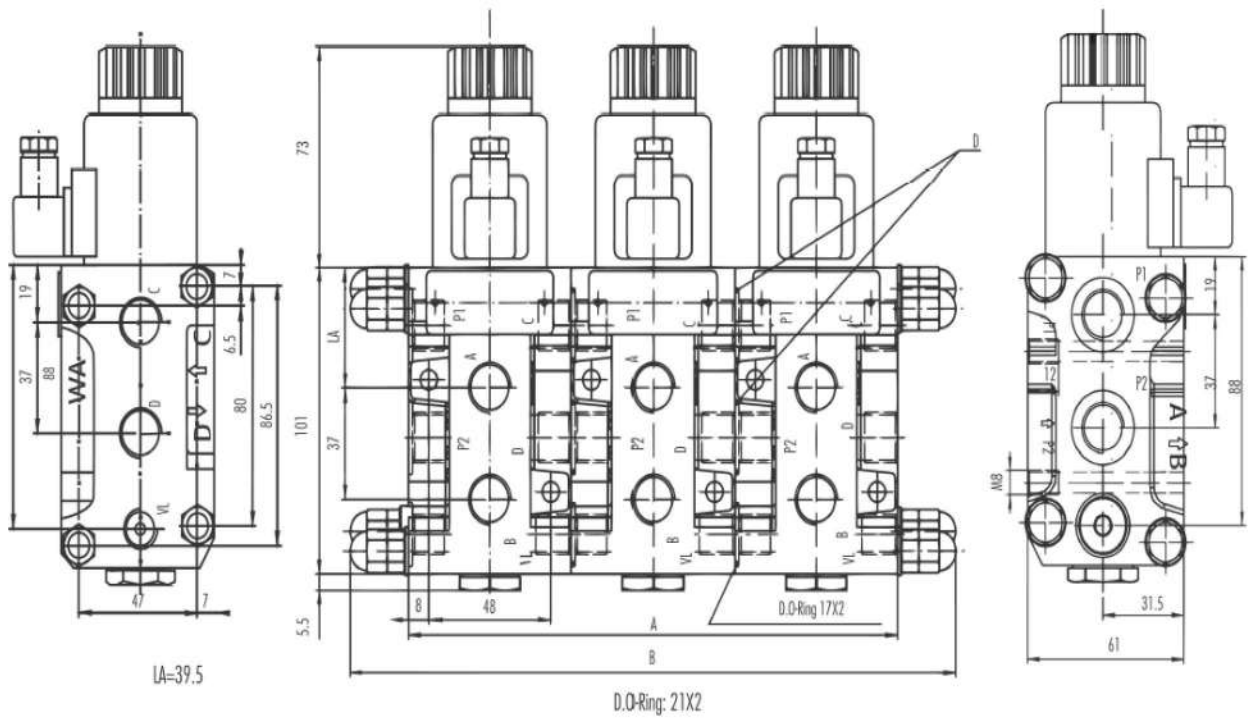


TECHNICAL DATA

Model	SFD6
Max flow rate (L/min)	50
Max operating pressure (MPa)	25
Valve body (Material) Surface Treatment	(casting) phosphating surface
Oil cleanliness	NAS1638 class 9 and ISO4406 class 20/18/15

CARACTERISTIC CURVES (measured with HLP46, Voil=40° + -5°C)

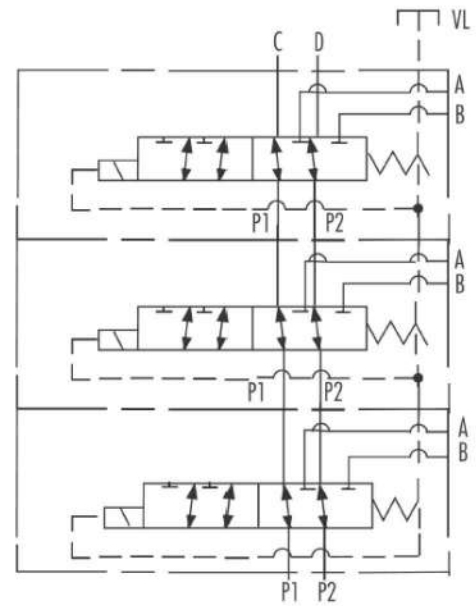




P1, P2, A, B, C, D = G 3/8"

TECHNICAL DATA

elements	way	A	B
No. of		Lengths (mm)	
1	6	64	-
2	8	128	174
3	10	192	238
4	12	256	302
5	14	320	366



SFD	06	*	*
-----	----	---	---

Model

Size NG06

- = 1 element
 - 2 = 2 elements
 - 3 = 3 elements
 - 4 = 4 elements
 - 5 = 5 elements
- No. of elements:

Voltage 12 = DC12;24 = DC24